

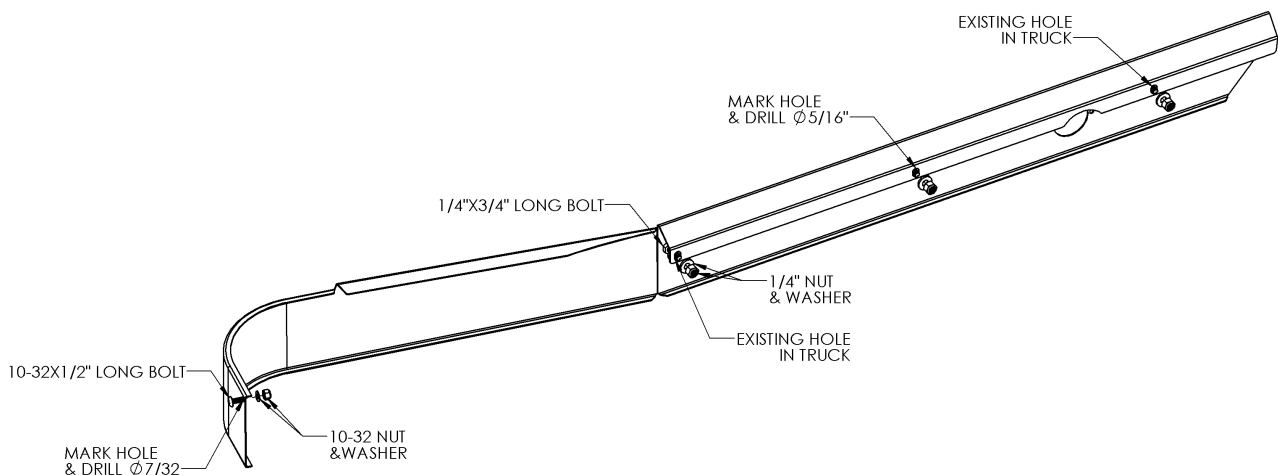
## STAINLESS STEEL ACCESSORIES

# CASCADIA SKIRTING KIT FOR CAB & EXTENDER

### INSTALLATION INSTRUCTIONS

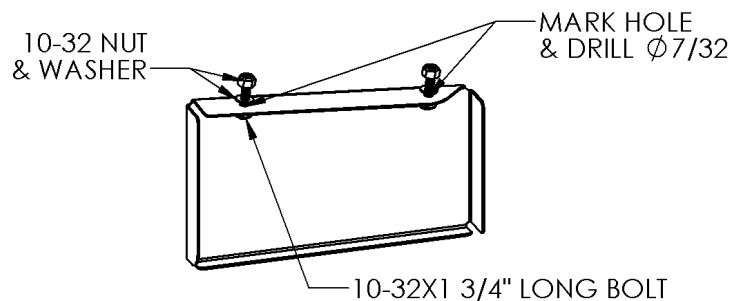
1. Remove factory fiberglass fairings and block heater.
2. Temporarily fasten the cab skirt through two existing holes in truck (fig. A). Ensure the top of the skirt is snug up against the truck to minimize the gap.

**FIGURE A**



3. Align extender to the truck and hold in place.

**FIGURE B**



4. Mark holes indicated in figures A & B for future drilling.
5. Remove all skirting.
6. Drill  $\text{\O}5/16''$  holes in previously marked holes in figures A.
7. Drill  $\text{\O}7/32''$  holes in previously marked holes in figure A and B.
8. Install block heater on the cab skirt.
9. Fasten the cab skirt to the truck with indicated fasteners (fig A).
10. Fasten the extender skirt to the  $7/32''$  drilled holes in truck (fig. B).
11. Repeat steps 1-14 for driver side (passenger side shown in all diagrams)